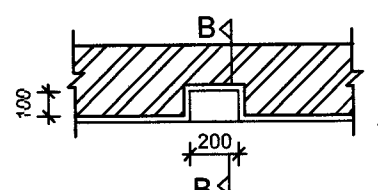
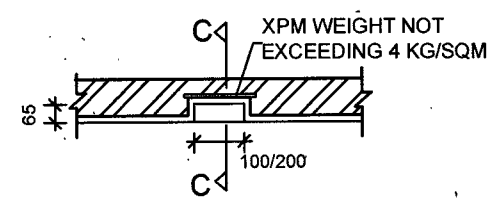


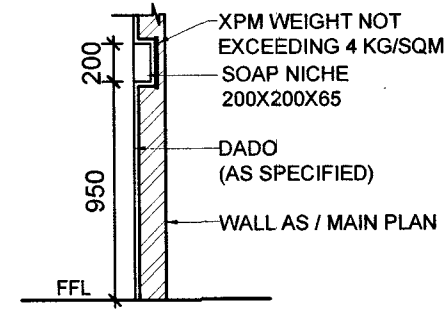
SECTION AT B-B
SCALE : 1:20



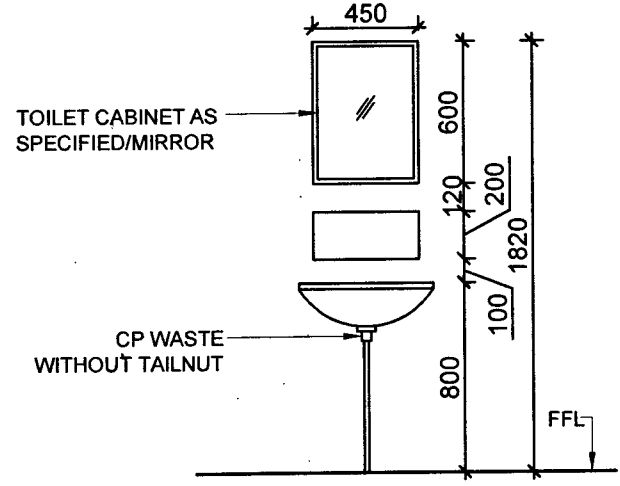
PLAN- ONE BK WALL



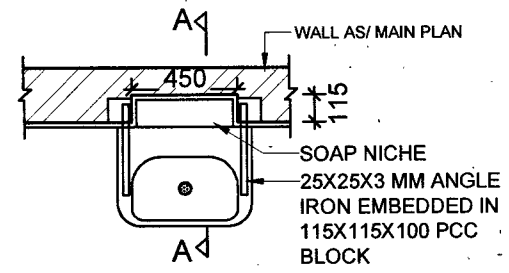
PLAN- HALF BK WALL



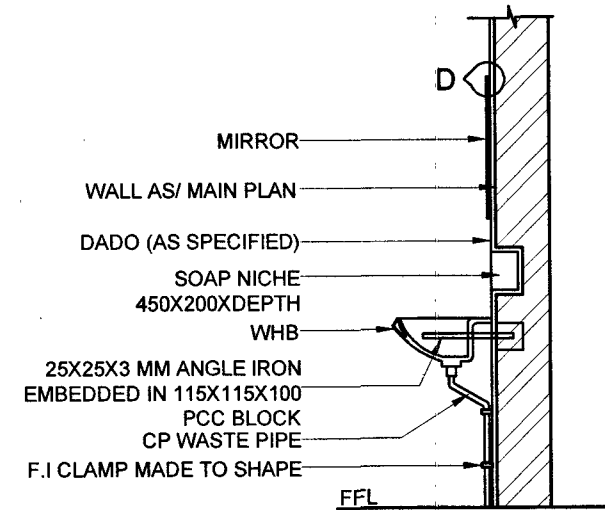
SECTION AT C-C
SCALE : 1:20



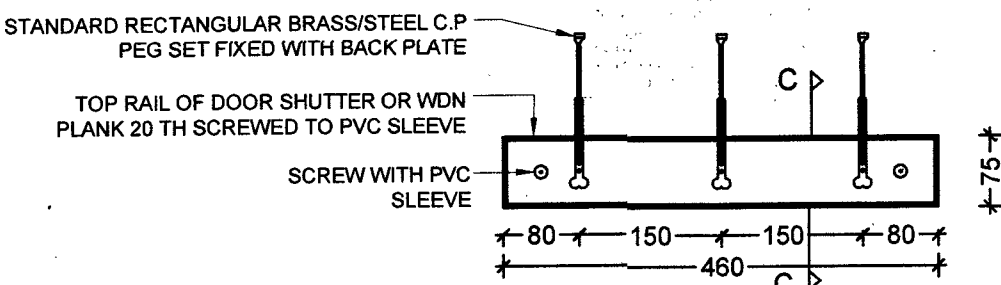
ELEVATION
SCALE : 1:20



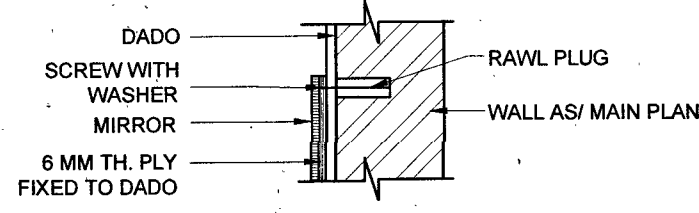
DETAIL OF WHB WITH SOAP NICHE & MIRROR
SCALE : 1:20



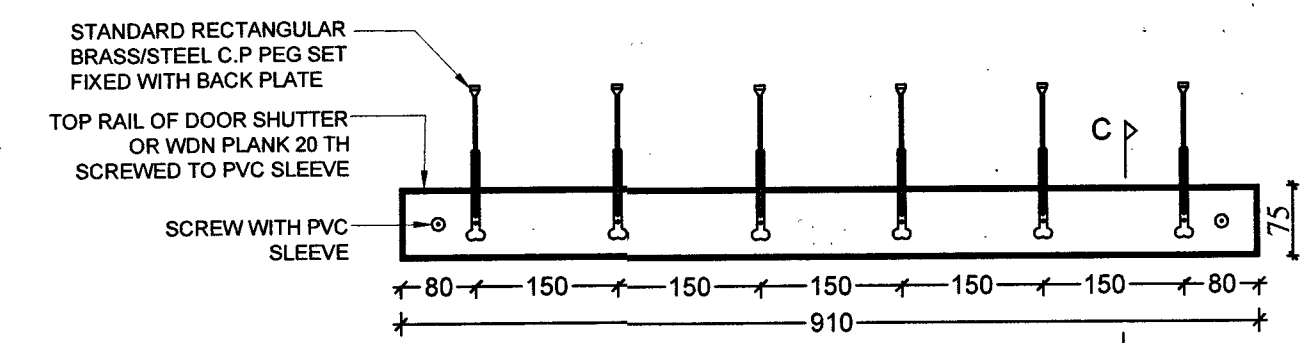
SECTION AT A-A
SCALE : 1:20



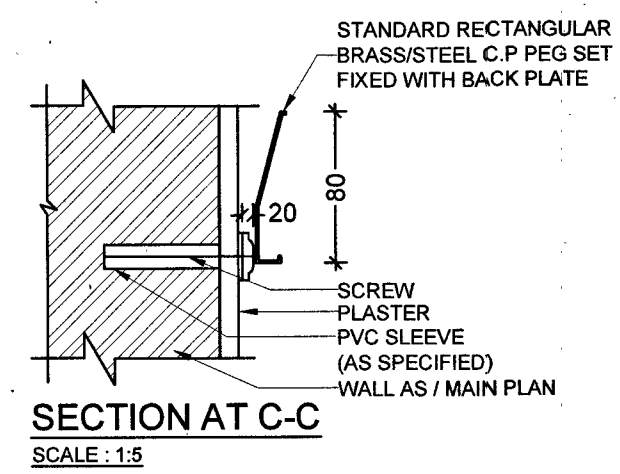
ELEVATION OF WALL PEGS (PEG SET OF 3)
SCALE : 1:5



DETAIL AT 'D'
NOT TO SCALE



ELEVATION OF WALL PEGS (PEG SET OF 6)
SCALE : 1:5



SECTION AT C-C
SCALE : 1:5

- NOTES:**
1. CONTRACTOR TO CHECK & VERIFY ALL DIMENSIONS BEFORE TAKING EXECUTION IN HAND.
 2. FIGURED DIMENSIONS SHALL BE FOLLOWED.
 3. ALL DIMENSIONS ARE SHOWN IN MM UNLESS OTHERWISE STATED.
 4. EXECUTIVE AUTHORITY SHALL CHECK THIS DRG. BEFORE TAKING EXECUTION IN HAND.

ARCH DRAWINGS PREPARED UNDER CONSULTANCY BY M/S THE DESIGN FACTORY, 293, CHHOTI BARANDARI PART-1, JALANDHAR, PUNJAB. THE SAME ARE SIGNED BY US AS PER E-IN-C'S BRANCH POLICY LETTER NO.08/2017 ISSUED UNDER E2 WORKS (PPC) SUB DTE, DTE OF WORKS, LETTER NO. A/00157/23-1/POL/E2W(PPC) DATED 02 JULY 2017

SL. NO.	DATE	DESCRIPTION	INITIAL
REVISION			

MISCELLANEOUS DETAILS

DATE	13/03/2025	CHIEF ENGINEER	SHEET NO.
DRAWN		JALANDHAR ZONE	02
CHKD			02
SCALE	AS SHOWN	DRG NO : CEJZ / TD-101 / 2025	

CONSULTANTS:

 293 CHHOTI BARANDARI PART 1 - JALANDHAR
 +91 9876602949
 thedesignfactory7@gmail.com

AAD (ARCH)

DIRECTOR (ARCH)
 for CHIEF ENGINEER